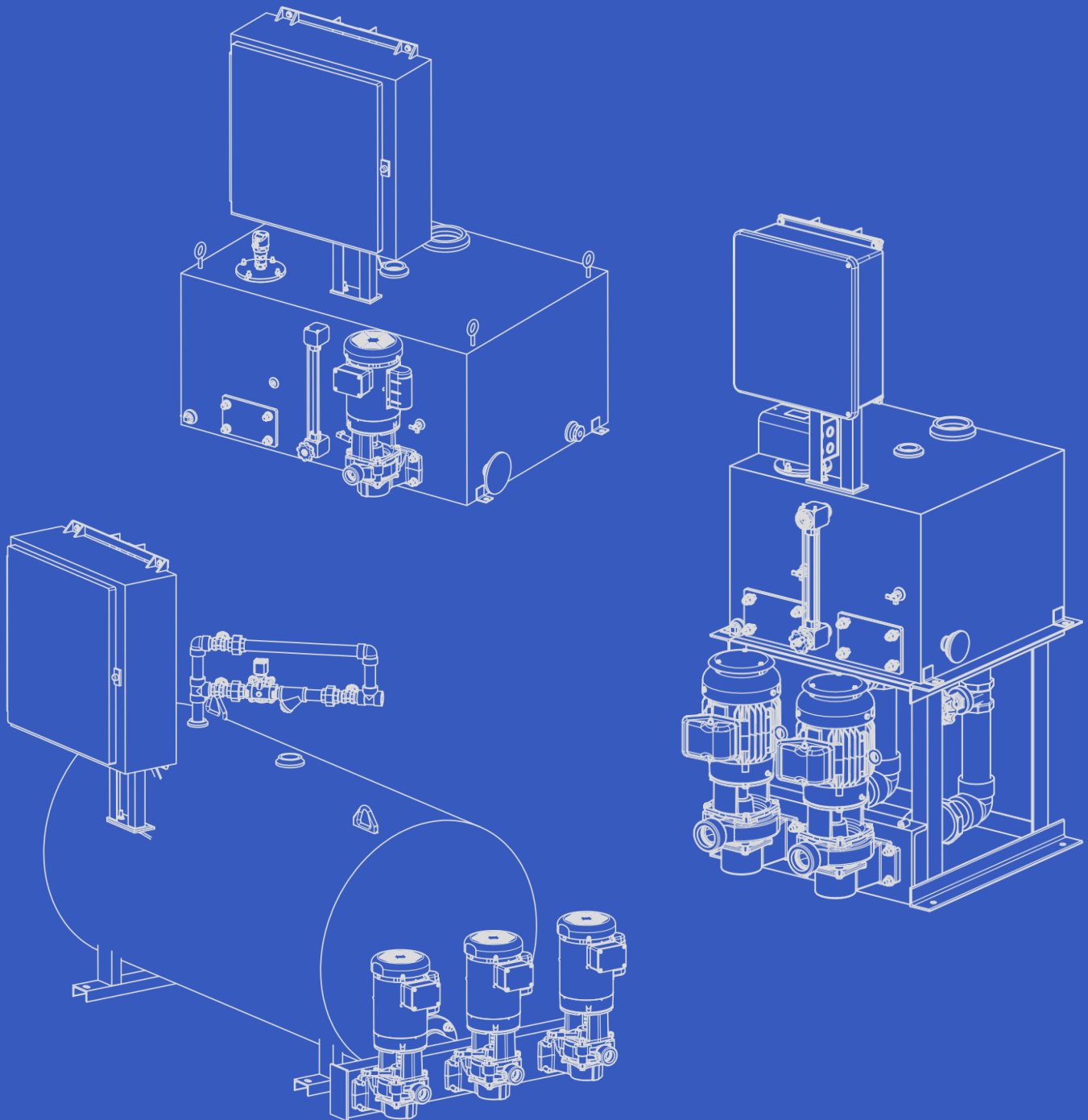


Skidmore®

A Swan Group Company



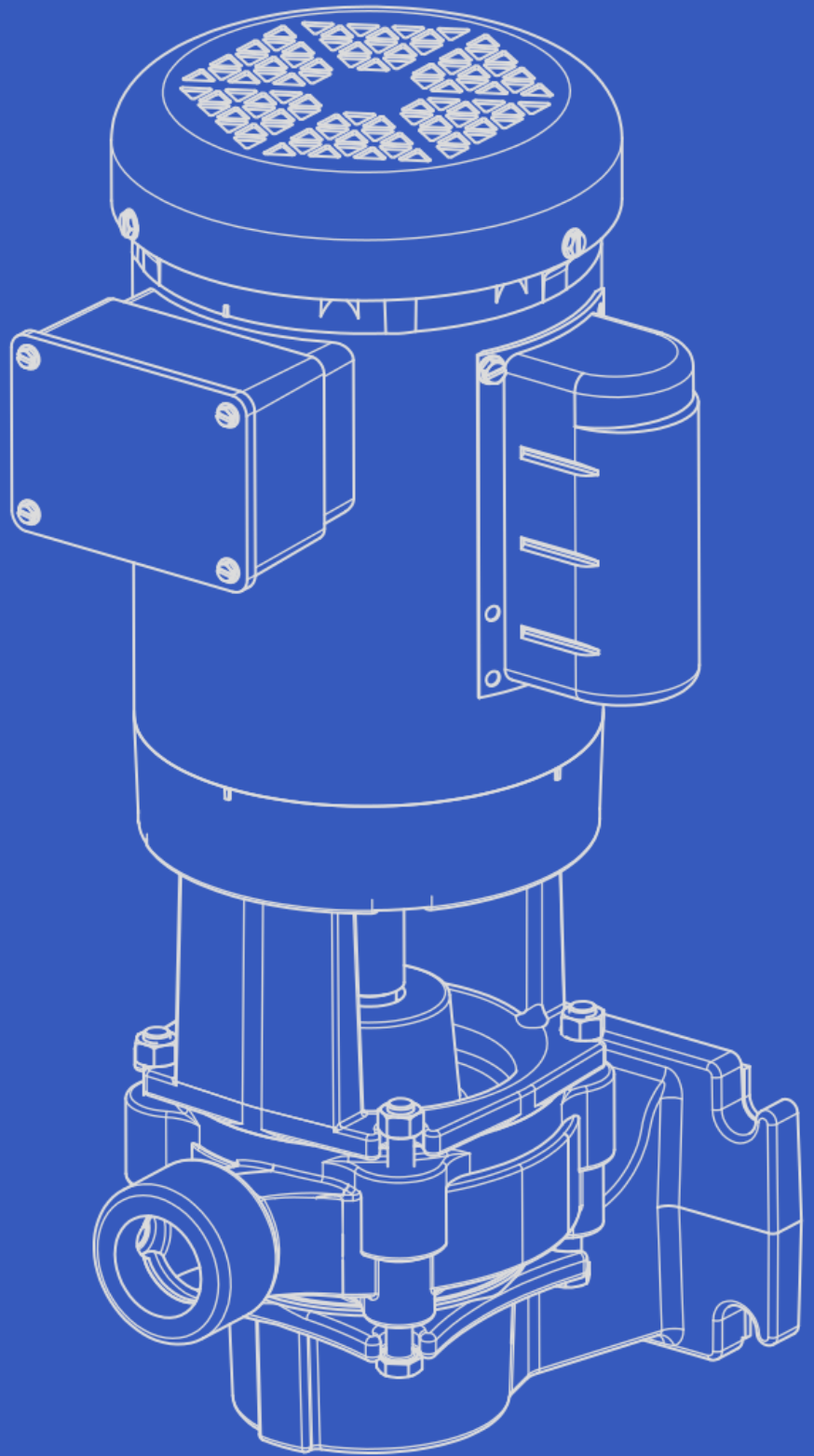
Premium Stainless Steel
Centrifugal Pump

VPS-Series

Complete Pump and Motor Assembly

VPS Series Features & Specifications

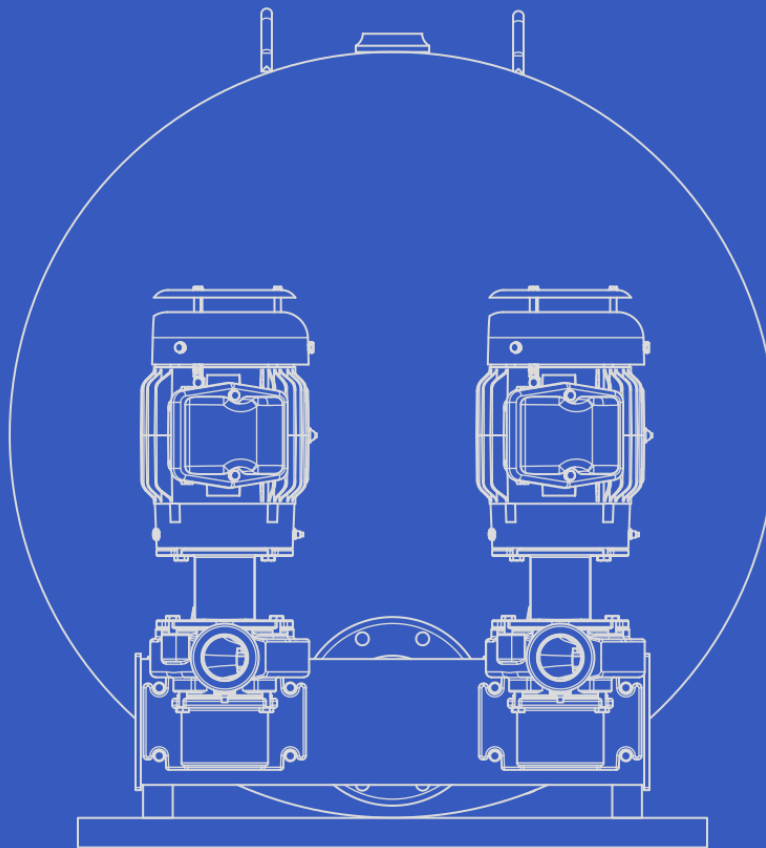
- 316 Stainless steel pump body.
- 316 Stainless steel seal line and connection.
- Mechanical seals rated up to 250°F. Optional Viton seals rated up to 300°F available upon request.
- Motors ranging from 1/2 to 7-1/2 HP with TEFC standard enclosures. EXP, WDD, SSWD available upon request.
- Advanced bronze impeller and SS volute design make the VPS series excellent for applications requiring less than 2 ft. Net Positive Suction Head (NPSH).



TYPICAL MODEL NUMBER

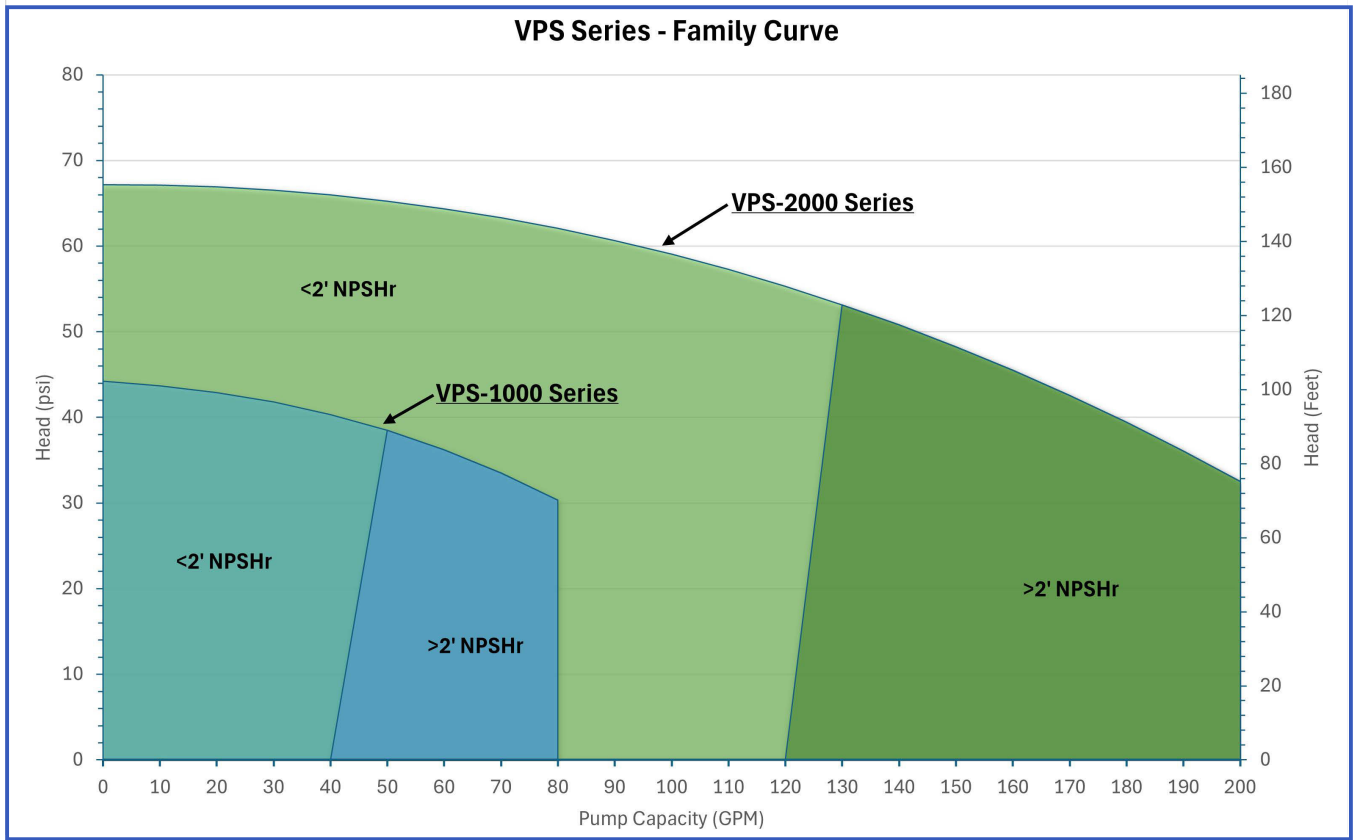
VPS - 1 0 0 0 - 1 .00

VPS	1	0	0	0	-	1	.00
Pump Line	Volute Size	Speed	Unused			Impeller Type	Impeller Trim
VPS- Stainless Steel Pump Line		0 = 3450 RPM					



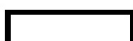
VPS-SERIES


VPS Series Family Curve



Pump Selection Chart

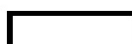
CAPACITY SQ. FT. EDR	CAPACITY (GPM)	DISCH. PRESSURE (PSIG)	3450 RPM		
			MODEL NUMBER	MOTOR HP	DISCH. SIZE (IN)
1,000	1-1/2	20	VPS-1000-1.12	1/2	1-1/4
		30	VPS-1000-1.06	3/4	1-1/4
		40	VPS-1000-1.00	1-1/2	1-1/4
		50	VPS-2000-1.04	3	2
		60	VPS-2000-1.01	3	2
2,000	3	20	VPS-1000-1.12	1/2	1-1/4
		30	VPS-1000-1.06	3/4	1-1/4
		40	VPS-1000-1.00	1-1/2	1-1/4
		50	VPS-2000-1.04	3	2
		60	VPS-2000-1.01	3	2
4,000	6	20	VPS-1000-1.12	1/2	1-1/4
		30	VPS-1000-1.06	3/4	1-1/4
		40	VPS-1000-1.00	1-1/2	1-1/4
		50	VPS-2000-1.04	3	2
		60	VPS-2000-1.01	3	2


 Designates 2 Ft. NPSH Capability

 Designates > 2 Ft. NPSH Capability

Pump Selection Chart (continued)


CAPACITY SQ. FT. EDR	CAPACITY (GPM)	DISCH. PRESSURE (PSIG)	3450 RPM		
			MODEL NUMBER	MOTOR HP	DISCH. SIZE (IN)
6,000	9	20	VPS-1000-1.12	1/2	1-1/4
		30	VPS-1000-1.06	3/4	1-1/4
		40	VPS-1000-1.00	1-1/2	1-1/4
		50	VPS-2000-1.04	3	2
		60	VPS-2000-1.01	3	2
8,000	12	20	VPS-1000-1.12	1/2	1-1/4
		30	VPS-1000-1.06	3/4	1-1/4
		40	VPS-1000-1.00	1-1/2	1-1/4
		50	VPS-2000-1.04	3	2
		60	VPS-2000-1.01	3	2
10,000	15	20	VPS-1000-1.12	1/2	1-1/4
		30	VPS-1000-1.06	3/4	1-1/4
		40	VPS-1000-1.00	1-1/2	1-1/4
		50	VPS-2000-1.04	3	2
		60	VPS-2000-1.01	3	2
15,000	22-1/2	20	VPS-1000-1.12	1/2	1-1/4
		30	VPS-1000-1.06	1	1-1/4
		40	VPS-1000-1.00	1-1/2	1-1/4
		50	VPS-2000-1.04	3	2
		60	VPS-2000-1.01	5	2
20,000	30	20	VPS-1000-1.12	1/2	1-1/4
		30	VPS-1000-1.04	1	1-1/4
		40	VPS-1000-1.00	1-1/2	1-1/4
		50	VPS-2000-1.04	3	2
		60	VPS-2000-1.01	5	2
25,000	37-1/2	20	VPS-1000-1.11	3/4	1-1/4
		30	VPS-1000-1.04	1-1/2	1-1/4
		40	VPS-1000-1.00	1-1/2	1-1/4
		50	VPS-2000-1.04	3	2
		60	VPS-2000-1.01	5	2


 Designates 2 Ft. NPSH Capability

 Designates > 2 Ft. NPSH Capability

Pump Selection Chart (continued)

CAPACITY SQ. FT. EDR	CAPACITY (GPM)	DISCH. PRESSURE (PSIG)	3450 RPM		
			MODEL NUMBER	MOTOR HP	DISCH. SIZE (IN)
30,000	45	20	VPS-1000-1.10	1	1-1/4
		30	VPS-1000-1.04	1-1/2	1-1/4
		40	VPS-2000-1.09	3	2
		50	VPS-2000-1.04	3	2
		60	VPS-2000-1.01	5	2
40,000	60	20	VPS-2000-1.17	1-1/2	2
		30	VPS-2000-1.12	3	2
		40	VPS-2000-1.08	3	2
		50	VPS-2000-1.03	5	2
		60	VPS-2000-1.01	5	2
50,000	75	20	VPS-2000-1.16	2	2
		30	VPS-2000-1.12	3	2
		40	VPS-2000-1.06	5	2
		50	VPS-2000-1.03	5	2
		60	VPS-2000-1.00	5	2
60,000	90	20	VPS-2000-1.12	3	2
		30	VPS-2000-1.09	3	2
		40	VPS-2000-1.04	5	2
		50	VPS-2000-1.01	5	2
		60	VPS-2000-1.00	5	2
65,000	97-1/2	20	VPS-2000-1.12	3	2
		30	VPS-2000-1.09	3	2
		40	VPS-2000-1.04	5	2
		50	VPS-2000-1.01	5	2
		60	VPS-2000-1.00	7-1/2	2
80,000	120	20	VPS-2000-1.11	3	2
		30	VPS-2000-1.08	5	2
		40	VPS-2000-1.04	5	2
		50	VPS-2000-1.01	5	2
100,000	150	20	VPS-2000-1.08	5	2
		30	VPS-2000-1.04	5	2
		40	VPS-2000-1.01	7-1/2	2

 Designates 2 Ft. NPSH Capability

 Designates > 2 Ft. NPSH Capability

Skidmore has been building the highest-quality condensate return pumps, boiler feed systems, vacuum systems, and accessories since 1921. From custom designs to compact solutions—our skilled representatives are armed with the knowledge and expertise to assist you in the selection, design, installation and service of your pump system. They are backed by a highly skilled team of application specialists who will provide solutions to custom engineering questions or special building capabilities and are committed to developing the most energy efficient pump to fulfill your needs. Every pump that leaves our factory has been carefully crafted and tested against the strictest standards, ensuring you receive the highest-quality product possible.

Skidmore®

A Swan Group Company

1875 Dewey Avenue Benton Harbor, Michigan 49022

Phone 269.925.8812 Website: <http://skidmorepump.com/>

MANUFACTURING AND DESIGN OF QUALITY HVAC SYSTEMS SINCE 1921

The specifications contained in this bulletin were effective at the time of publishing. We reserve the right to discontinue products at any time or to change specifications or design without incurring any obligation. For most current information, contact your Skidmore® representative.