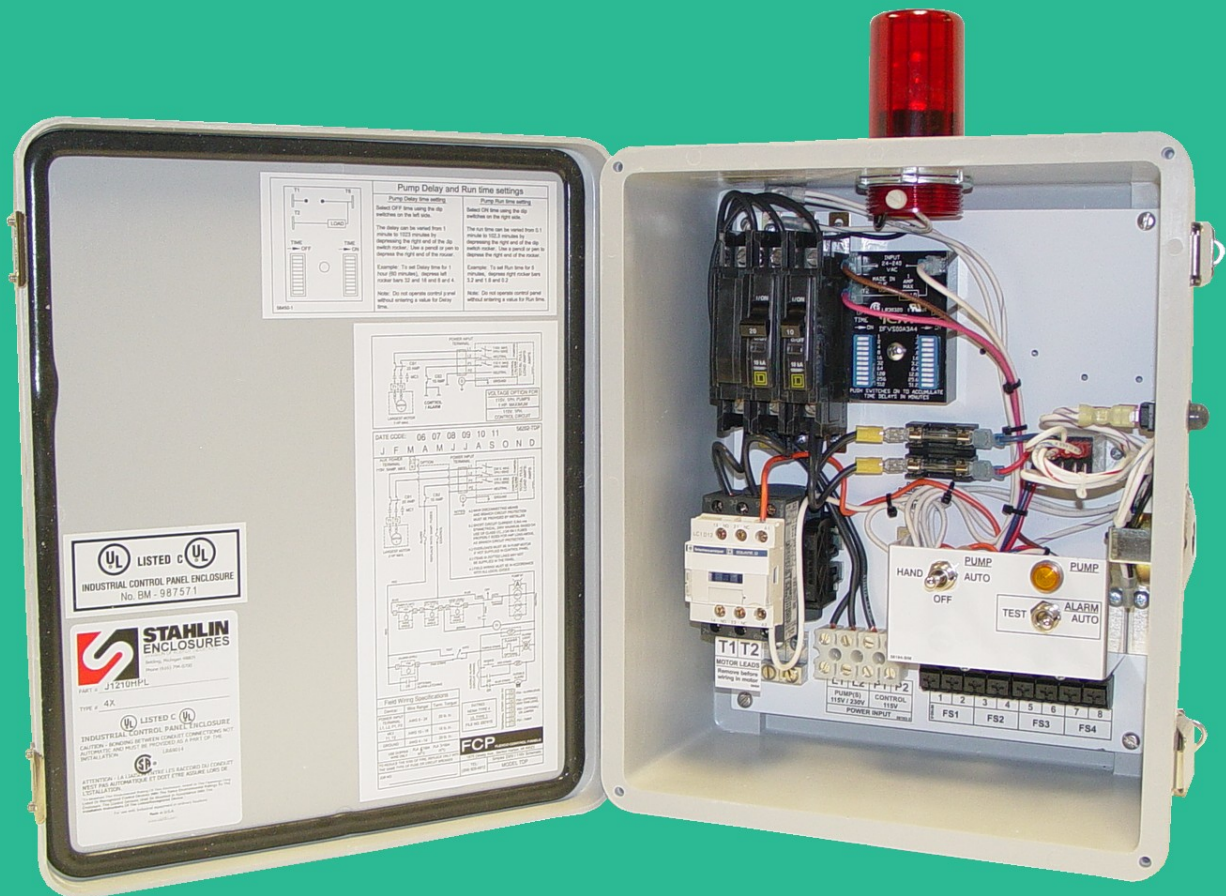


Phaser TDP Simplex Time Dose Panel

STANDARD FEATURES:

UL / CUL Listed
Indoor / Outdoor Service
NEMA 4X Enclosure
Padlockable Door
NEMA 4X Red Alarm Light
87 db(A) Audible Alarm (SS Cover)
NEMA 4X Alarm Silence Switch
Alarm Test Switch

HOA Pump Switch
Pump Run Light
Motor Circuit Breaker
3 Pole Magnetic Starter (fingersafe)
Control Circuit Breaker & Dual Fusing
Solid State Off / Run Timer
Dual Power Operation 115V / 230V 1PH



SPECIFICATIONS:

<u>MODEL</u>	<u>HP</u>	<u>FLA</u>	<u>VOLTAGE</u>	<u>ALARM</u>
TDP	1hp 2hp	12 12	115V / 1PH / 60hz 230V / 1PH / 60hz	Audible + Light Audible + Light

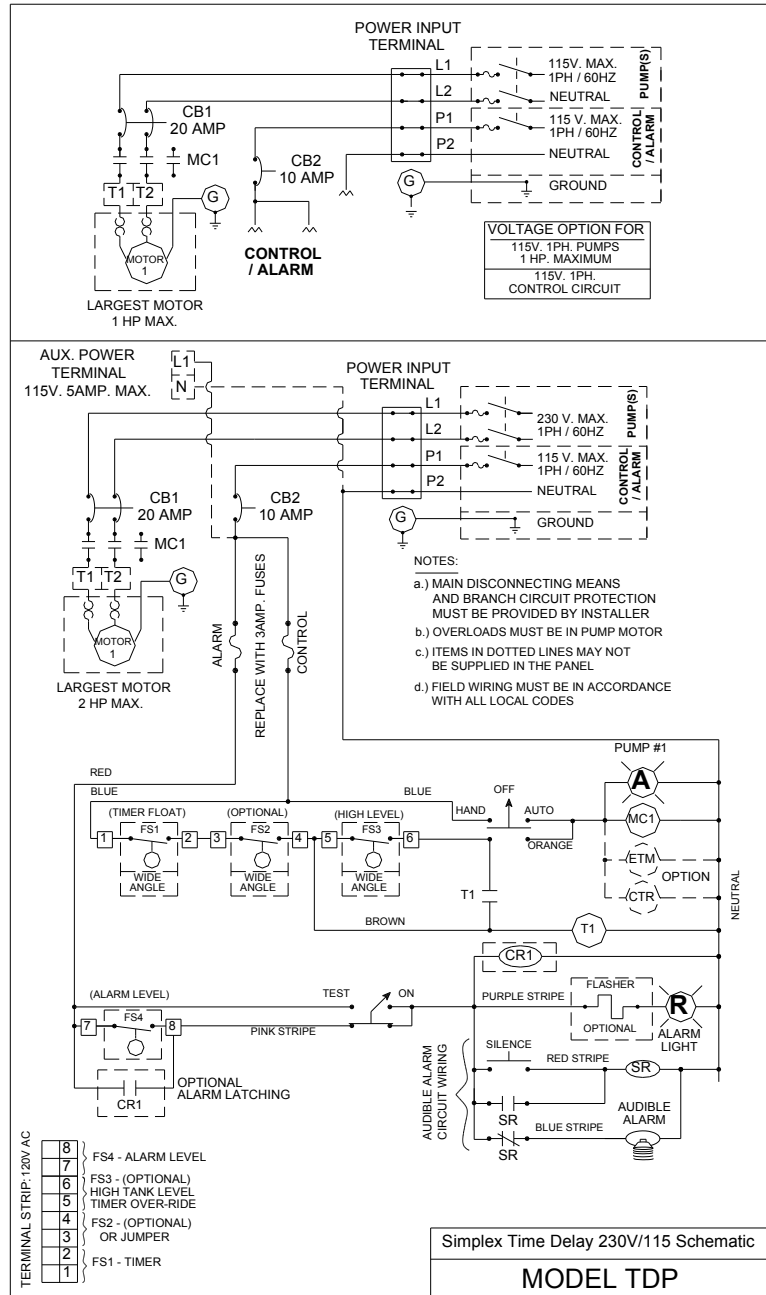
Independent pump of and run timer settings providing accurate dosing intervals.

FCP Phaser TDP

Single Phase Simplex Time Dose Control Panel

PANEL OPTIONS:

- Omron mechanical off / run timer
- Flasher Circuit
- Elapsed time meter
- Cycle counter
- Alarm latching
- Auxiliary alarm contact
- 115 Volt terminal point



The specifications contained in this bulletin were effective at the time of publishing. We reserve the right to discontinue products at any time or to change specifications or design without incurring any obligation.

1875 Dewey Ave.
P.O. Box 8583
Benton Harbor MI 49023-8583

TEL - (269) 925-8812
FAX - (269) 925-7888