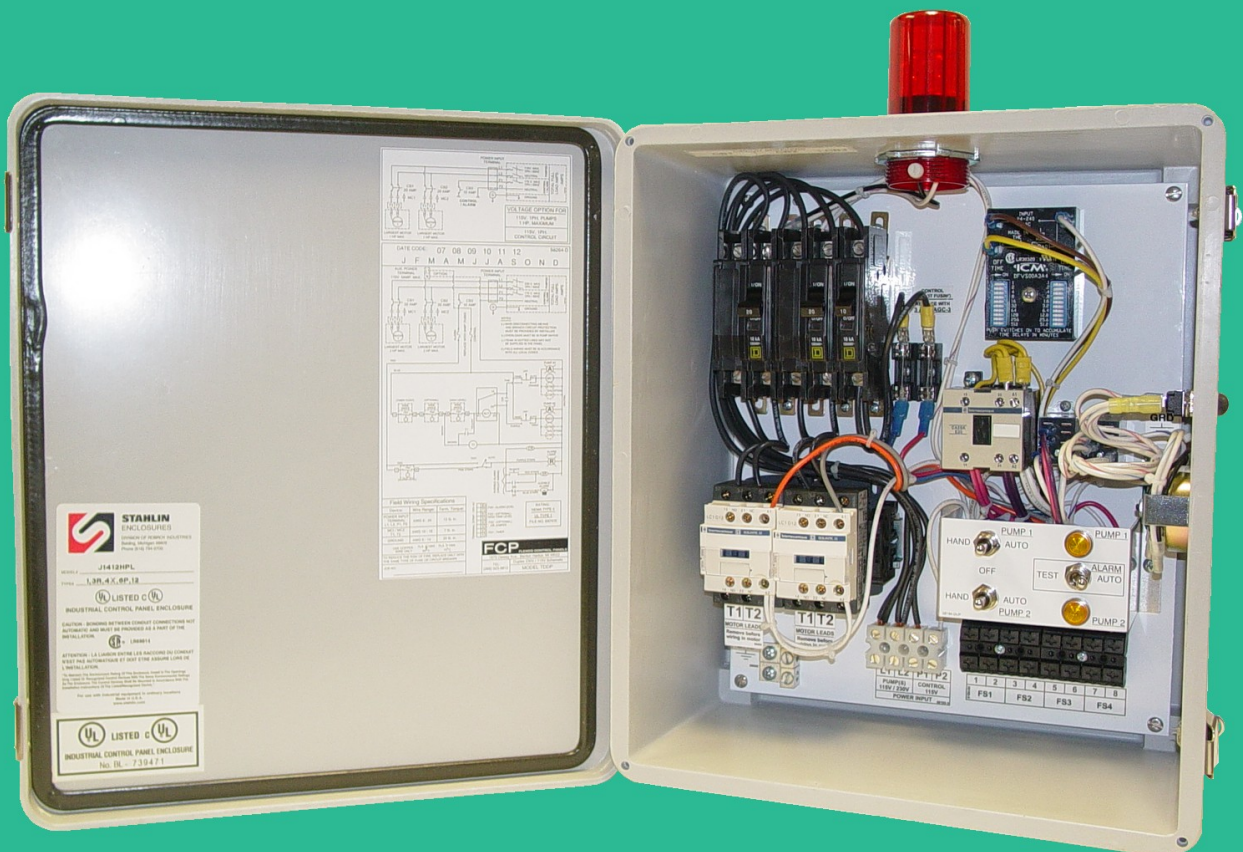


## Phaser TDDP Duplex Time Dose Panel

### STANDARD FEATURES:

UL / CUL Listed  
Indoor / Outdoor Service  
NEMA 4X Enclosure  
Padlockable Door  
NEMA 4X Red Alarm Light  
87 db(A) Audible Alarm (SS Cover)  
NEMA 4X Alarm Silence Switch  
Alarm Test Switch

2- HOA Pump Switch  
2- Pump Run Light  
2- Motor Circuit Breaker  
Automatic Pump Alternation  
2- 3 Pole Magnetic Starter (fingersafe)  
Control Circuit Breaker & Dual Fusing  
Solid State Off / Run Timer  
Dual Power Operation 115V / 230V 1PH



### SPECIFICATIONS:

<u>MODEL</u>	<u>HP</u>	<u>FLA</u>	<u>VOLTAGE</u>	<u>ALARM</u>
TDDP	1hp 2hp	12 12	115V / 1PH / 60hz 230V / 1PH / 60hz	Audible + Light Audible + Light

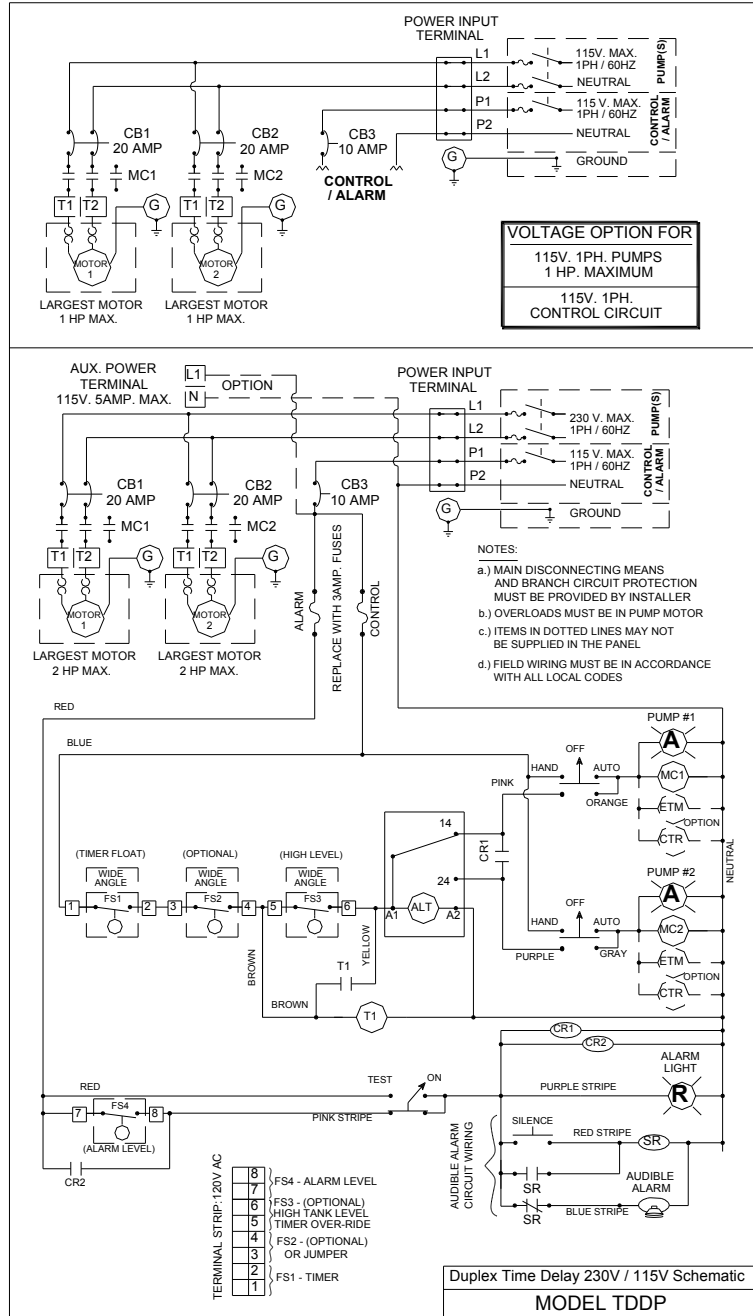
Programmable pump off and run timer settings providing accurate dosing intervals.

# FCP Phaser TDDP

## Single Phase Duplex Time Dose Control Panel

### PANEL OPTIONS:

- Omron mechanical off / run timer
- Flasher Circuit
- 2- Elapsed time meters
- 2- Cycle counters
- Alarm latching
- Auxiliary alarm contact
- 115 Volt terminal point



The specifications contained in this bulletin were effective at the time of publishing. We reserve the right to discontinue products at any time or to change specifications or design without incurring any obligation.

1875 Dewey Ave.  
P.O. Box 8583  
Benton Harbor MI 49023-8583

TEL - (269) 925-8812  
FAX - (269) 925-7888