

Side Stream Tanks

Installation, Operation & Maintenance Manual

Unit description:

- 1) **Material:** Side stream tanks are made with high strength steel sides and dome style top and bottom heads.
- 2) **Ratings:** The tanks are rated for 150 PSI at 210 deg. F. and a recommended flow rate of not more than 5 GPM.
- 3) **Connections:** 3/4" N.P.T. inlet and outlet for for introducing chemicals into the closed loop system.
2" quick connect cam-lock top cap gives easy access to the tank to add chemicals
3/4" N.P.T. drain.



Installation Instructions:

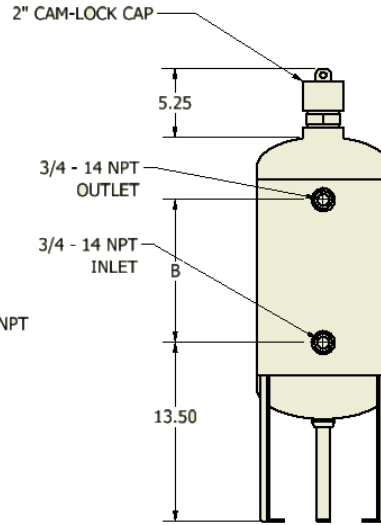
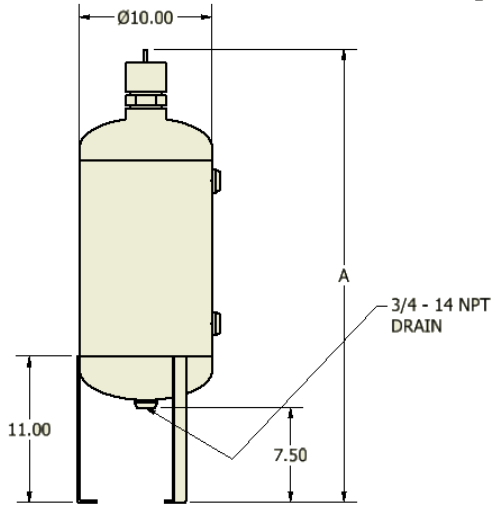
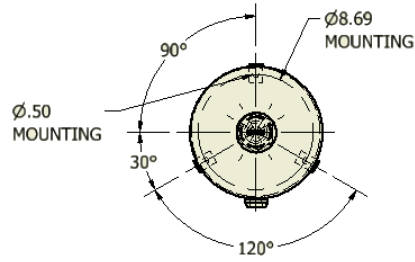
- 1) **Location:** Unit to be located in an area that provides ample room for maintenance personnel to service and maintain the tank.
- 2) **Mounting:** Mount unit to level floor using anchor bolts that are sized to the units mounting feet (see Fig. 1).
- 3) **Plumbing:** Unit comes with standard 3/4" N.P.T. pipe connections, inlet, outlet and drain. Plumb inlet and outlet into your closed loop system. Plumb the bottom connection to an appropriate size drain (see Fig. 2).
NOTE: Only use pressure rated and approved pipe. Do not over tighten fittings. Support pipe with proper pipe hangers.

Unit Service and Start-up:

- 1) Ensure the inlet and outlet valves are in the closed position.
- 2) Open the drain valve to relieve all pressure from the tank.
- 3) Remove the 2" cam-lock cap, close the drain valve and add chemicals in tank.
- 4) With the cap still off, slowly open the inlet valve and fill the tank with water. Ensure the tank is completely filled with water, close the inlet valve and close the cam-lock cap.
- 5) Open the inlet and outlet valves and resume system operation.

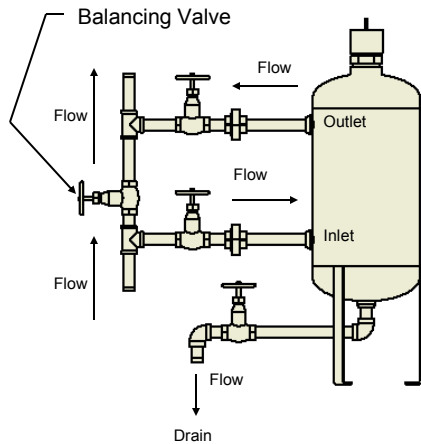
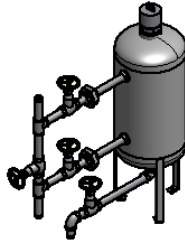
WARNING: Failure to remove all air from tank may result in injury or death.
(See line 4 above).

MODEL NO.	DESCRIPTION	A	B
SSF-5	5 GAL. TANK	34.0	10.75
SSF-12	12 GAL. TANK	54.5	31.0



Side Stream Feeder Piping Layouts

Side Stream Feeder with Balancing Valve



Side Stream Feeder with Recirculation Pump

