

Side Stream Tanks and Accessories

Skidmore side stream tanks are designed to introduce water treatment chemicals into a heating or cooling closed loop system.



STANDARD TANK FEATURES:

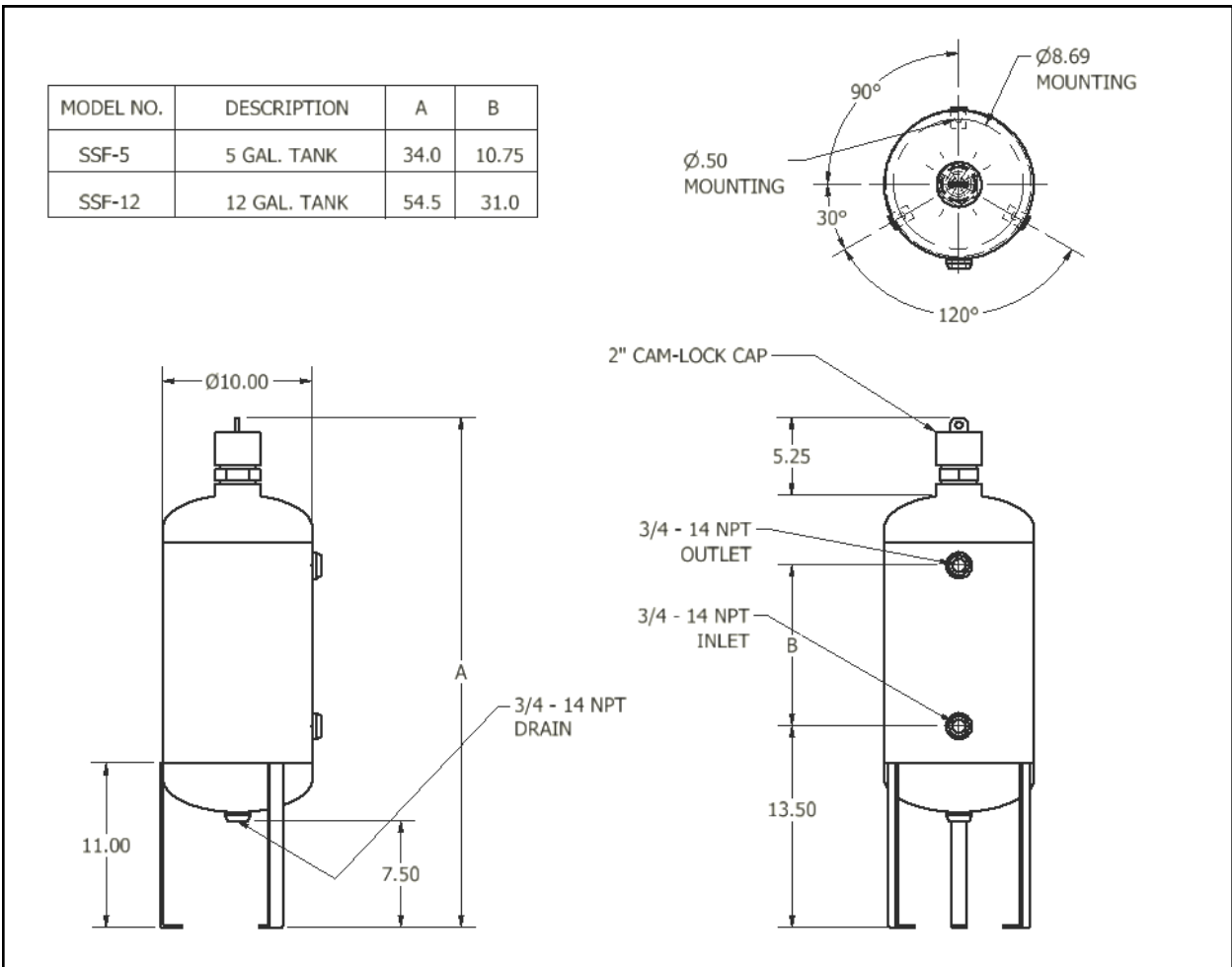
- High Strength Steel
- Dome Top and Bottom
- 150PSI at 210 Deg. F. Rating
- 2" Cam Lock Quick Connect and Cap
- Powder Coat Paint
- Small Tank Footprint

Standard Tanks :

- SSF-5** 5 gal. side stream feeder tank 10" dia. X 34" high with 2" cam lock quick connect and cap
SSF-12 12 gal. side stream feeder tank 10" dia. X 54.5" high with 2" cam lock quick connect and cap

Tank Accessories:

- PE-FUN** Funnel assembly: 2" cam lock quick connect x 11" dia. polypropylene inlet
VP-0.75-2 Valve package kit: Inlet- 3/4" valve and union
Outlet- 3/4" valve and union
Drain- 3/4" valve and elbow



The specifications contained in this bulletin were effective at the time of publishing. We reserve the right to discontinue products at any time or to change specifications or design without incurring any obligation.



1875 Dewey Ave.
 Benton Harbor MI 49022

TEL - (269) 925-8812
 FAX - (269) 925-7888
 www.skidmorepump.com