

Specifications

55 Gallon Simplex Glycol Feed Unit S-55-100-2-PEFS

Furnish and install according to plans and manufacturers' instructions, a complete prefabricated, automatic glycol feed makeup unit. Each unit shall consist of a steel frame base, polyethylene tank with hinged removable cover, low water cut-off alarm, brass rotary vane pump with built in suction strainer, Nema 4X control panel, brass suction and discharge piping, pump isolation valve, discharge check valve, pressure switch, pressure gauge, pressure relief valve, and interconnecting piping.

TANK AND BASE ASSEMBLY: Tank shall be 55-gallon industrial grade polyethylene with graduated scale. Cover shall be hinged with a stainless-steel piano hinge. The base assembly shall be made of structural steel welded together and painted with a powder coat process for high durability.

PUMP: Pump shall be rotary vane close coupled type with brass housing and built in suction strainer. Pump motor is open drip proof type, 1/3 hp. 110v. 1ph. with built in auto reset thermal overload. Pump will be capable up to 2 GPM @100PSI.

CONTROL PANEL: Electrical control panel assembly shall be Nema 4x UL/CUL 508A listed, labeled and rated at 110v, 1ph, 60Hz. Panel shall have an audible alarm for low water, H.O.A. selector switch and yellow pilot light for pump run, off-on selector switch and green pilot light for unit power, off-on selector switch and red pilot light for low water alarm, circuit breaker protection, motor rated starter relay, auxiliary contacts for alarm circuit and a 110v 1ph 9 ft. plug in power cord.

SUCTION AND DISCHARGE PIPING: Suction piping shall be brass with drain connection and plug. Suction isolation valve shall be a brass body gate. Discharge shall be brass with a brass body check valve, field adjustable pressure switch, pressure gauge, pressure relief valve and 1/2" N.P.T. male discharge pipe connection. Interconnecting piping to and from pump will be high pressure poly reinforced braided hose.

LOW LEVEL SWITCH: Float switch shall be made of ABS plastic. The float will be tethered on the upper portion of the tank. Low tank level will deactivate all pumping operations and activate the low-level visual and audible alarm on the control panel.

STANDARD SYSTEM SETTINGS:

G.P.M.: 2.0 SYSTEM PRESSURE: ON – 10 PSI / OFF – 40 PSI

PRESSURE RELIEF VALVE: 100PSI

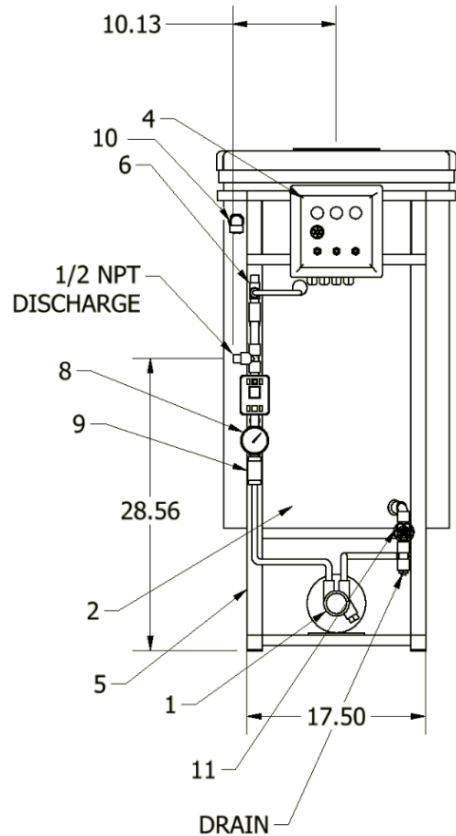
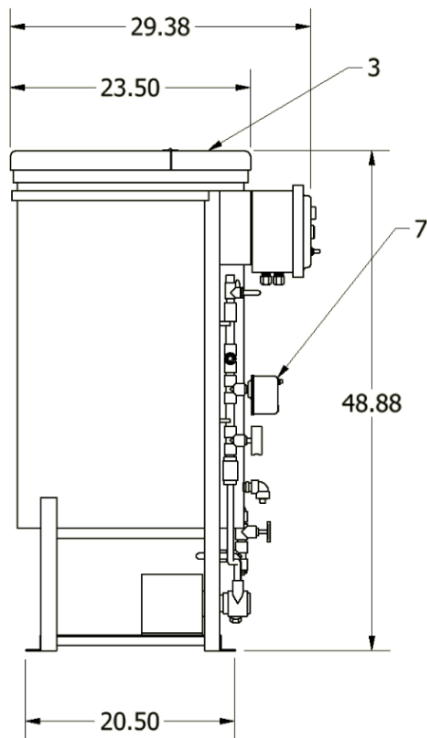
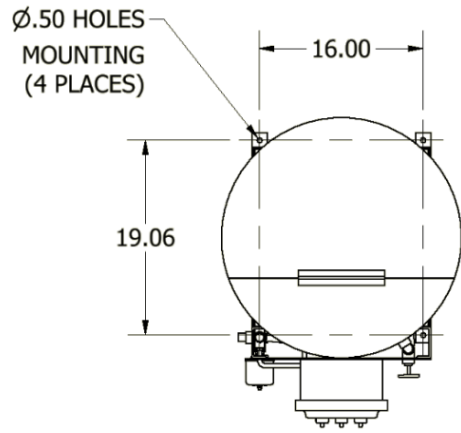
POWER REQUIREMENTS:

VOLTAGE: 110V. / 1PH. / 60Hz. F.L.A.: 8.0 AMPS

OPTIONS:

- Special system pressure settings. (ON- _____ PSI / OFF- _____ PSI)
- AMT** Timed mixing loop
- HLA** High tank level alarm
- ET** Expansion tank, 2-gallon steel
- SET** Expansion tank 2-gallon stainless steel
- HFP** High flow pump (4.5 gpm @ 100 psi)
- ET-PRV** Pressure reducing valve with 2-gallon expansion tank (8 – 50 psi pressure setting)

- 1 - PUMP MOTOR ASSEMBLY
- 2 - TANK POLYETHYLENE
- 3 - COVER POLYETHYLENE HINGED
- 4 - ELECTRICAL PANEL UL/CUL 508A
- 5 - BASE ASSEMBLY
- 6 - PRESSURE RELIEF VALVE
- 7 - PRESSURE SWITCH
- 8 - PRESSURE GAUGE
- 9 - CHECK VALVE
- 10 - FLOAT SWITCH
- 11 - SUCTION ISOLATION VALVE



Job Name _____	Contractor _____
Order No. _____	Submitted By _____ Date _____
Sales Rep. _____	Approved By _____ Date _____
Engineer _____	Notes _____
Location _____	_____
_____	_____



1875 Dewey Ave.
Benton Harbor MI 49022

The specifications contained in this bulletin were effective at the time of publishing. We reserve the right to discontinue products at any time or to change specifications or design without incurring any obligation.

TEL - (269) 925-8812
FAX - (269) 925-7888
www.skidmorepump.com