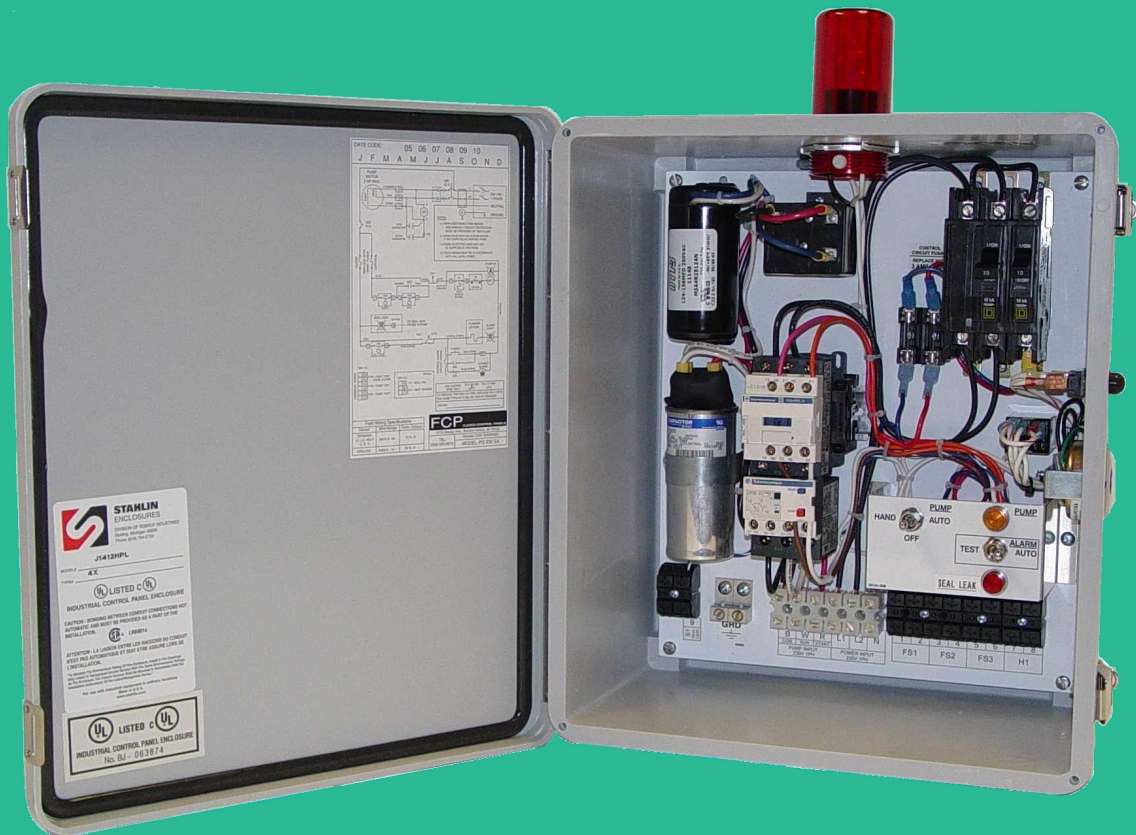


Phaser PG-230-SA Single Phase Simplex Grinder Panel

STANDARD FEATURES:

Indoor/Outdoor Service
NEMA 4X Enclosure
Padlockable Door
NEMA 4X Red Alarm Light
87 db(A) Audible Alarm (SS Cover)
NEMA 4X Silencing Switch

Motor Circuit Breaker
Control Circuit Breaker w/Dual Fusing
3 Pole Magnetic Starter (Fingersafe)
Motor Run Light
HOA Switch



SPECIFICATIONS:

MODEL
PG-230-SA Simplex

HP
2hp

FLA
18

VOLTAGE
230v / 1PH / 60hz

ALARM
Audible + Light

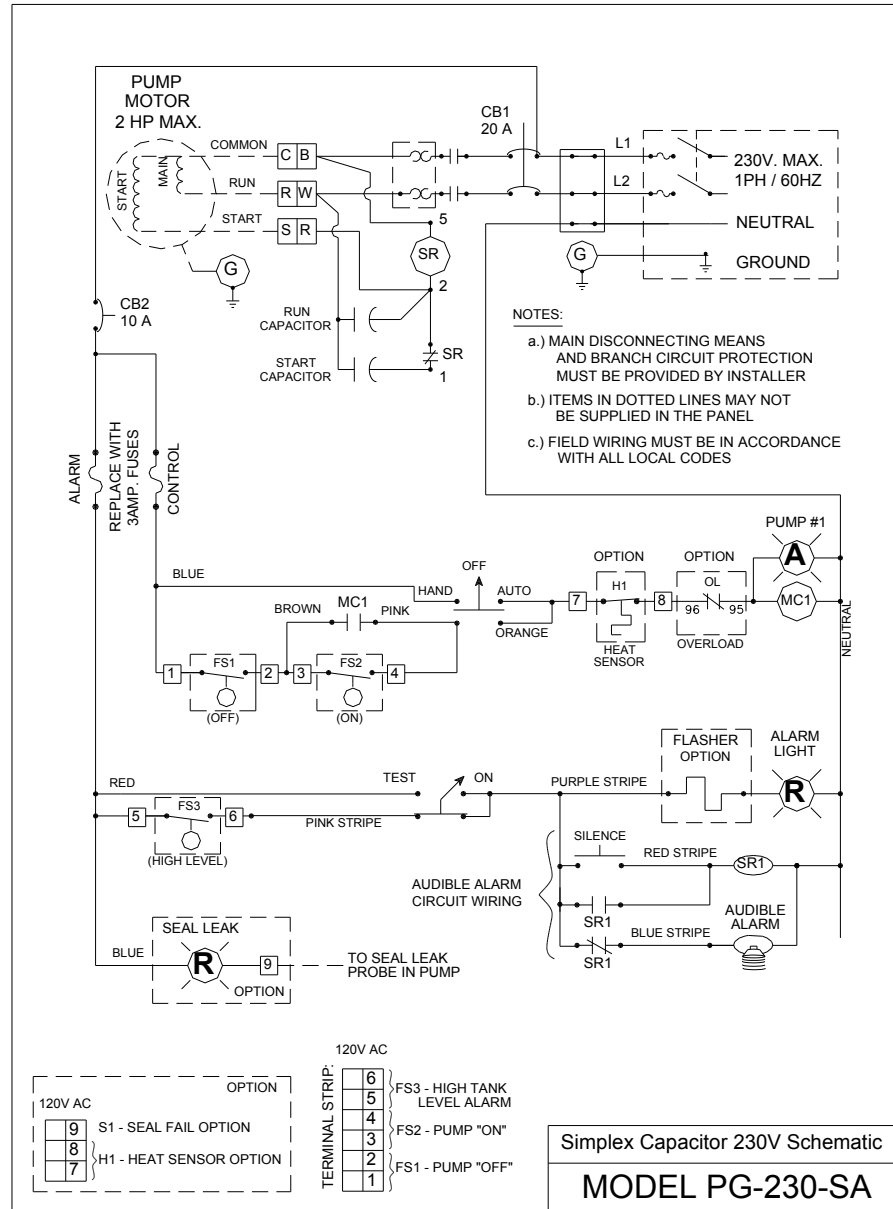
Level control and high water alarm for Sump and Sewage basin pumps.

FCP Phaser PG

SINGLE PHASE SIMPLEX GRINDER CONTROL PANEL

OPTIONS:

- Motor overload protection
- Seal leak detection light
- Motor start components
- Motor high temperature sensor circuit
- Alarm light flasher



The specifications contained in this bulletin were effective at the time of publishing. We reserve the right to discontinue products at any time or to change specifications or design without incurring any obligation.

1875 Dewey Ave.
P.O. Box 8583
Benton Harbor MI 49023-8583

TEL - (269) 925-8812
FAX - (269) 925-7888