



Bulletin GYM-500A
May 2018

Economy Glycol Feed Systems 55/100 Gallon Installation, Operation & Maintenance Manual



The specifications contained in this manual were effective at the time of publishing. We reserve the right to discontinue products at any time or to change specifications or design without incurring any obligation.

Unit Description:

Glycol Feed Units are complete packaged assemblies which are plumbed, wired and tested at the factory. Units are designed to provide an automated and maintained supply of a water-glycol mix, under pressure, to a closed loop heating or cooling system.

Installation Instructions:

- 1) **Location:** Locate unit in an area that provides ample room for maintenance personnel to service and maintain the unit. Suitable electrical service should also be available at site.
- 2) **Mounting:** Set unit on a level floor (No mounting is required).
- 3) **Plumbing:** Unit comes with a standard 1/2" N.P.T.F. discharge, 3' flexible hose and system check valve. Plumb discharge assembly into the make-up line on the system. Ensure that a shutoff valve is installed after the discharge to isolate the make up for unit service.

NOTE: Only use pressure rated and approved pipe and do not over tighten fittings.

- 4) **Electrical:** Unit is supplied with a 6 ft. 110v. 1ph. power cord. Unit is to be plugged into a 110v. AC ground fault interrupt receptacle with appropriate circuit breaker.

Unit Adjustable Components:

- 1) Pressure reducing valve to regulate the system pressure (see prv instructions for setting discharge pressure).

Unit Startup:

- 1) Fill the tank with glycol mix or water.
- 2) Open the bypass/mix valve to bleed air out of unit.
- 2) Ensure discharge is plumbed into the closed loop system with a shutoff valve. Close the discharge valve to isolate the system.
- 3) Set the pressure reducing valve to the desired system pressure.
- 4) Plug the makup unit into a 110v 1ph grounded outlet. The pump will turn on and circulate the fluid through the bypass/ mix valve untill all air is removed from the system.
- 5) Close bypass/mix valve and open the sysem isolation valve into the sysem. Allow the expainsion tank to fill. The pump will automaticly shut off when the tank and system is charged.

System Operation:

The closed loop system will be filled and charged by the pressure reducing valve. Fluid will be added into the system that is stored in the expainsion tank. The Glycol Feed Pump will turn on and activate when the tank pressure falls below the cut-in setting on the pressure switch that is built into the pump. The pump will continue to run untill the pressure switch reaches the cut-out limit and the expainsion tank is full.

Maintenance:

- a) The glycol tank must be monitored and filled on a regular basis. Glycol mix is to be added by lifting the red fill cap and pouring the mix or water into the tank. If the tank is pumped all the way down, the low water float switch will activate and will shut down the unit to avoid the pump from running dry.
- b) Periodic maintenance will also be required on the pressure reducing inlet screen. Unit is to be unplugged and shut down, close the discharge gate valve and open bypass/mix valve to bleed the pressurized fluid out of the makeup unit. Loosen the union on the pressure reducing valve, pull back and up on the pressure reducing valve. The screen can now be removed, cleaned and reinstalled. follow the unit startup proceedure to start the unit back up.

Warning: Failure to keep screen clean will result in a loss of pressure and fluid in the system.

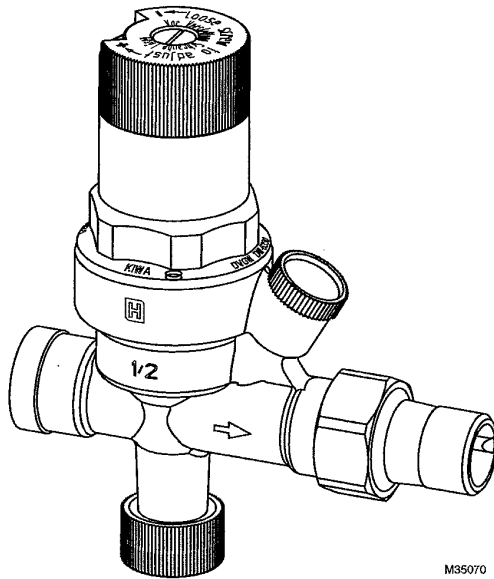


1875 Dewey Avenue
Benton Harbor, MI 49022

TEL - (269) 925-8812
FAX - (269) 925-7888

Dialset Boiler Fill Valve

VF06-100-SUSUT



INSTALLATION INSTRUCTIONS

FEATURES

- Easy Dial-set technology allows simple output pressure setting in psi
- Integrated 1/4" NPT pressure gage port for testing
- Fill Valve has 1/2" internal NPT threads and external union threads on both input and output sides
- Kit includes 1 union nut with 1/2" Male NPT tailpiece and 1/2" Female sweat tailpiece for flexible installation options
- Balanced-seat pressure reducing valve prevents inlet pressure fluctuations from influencing outlet pressure
- Integrated manual shutoff feature for simple maintenance

SPECIFICATIONS

Adjustment Range: 8-50 psi

Factory Pressure Setting: 15 psi

Maximum Operating Pressure: 150 psi

Medium Temperature: 33 F -140 F

Manometer Connection: 1/4" NPT

Dimensions: See Table 1

APPLICATION

The VF06 Dial-set boiler fill valve enables simple and safe filling or refilling of a closed heating system. A pressure reducing valve and a manual shutoff are combined in one unit.

Table 1. Specifications for VF06-100-SUSUT/U.

Connection Type	Union	Maximum Operating Pressure	Output Pressure Range (psi)	Dimensions, Approximate (inch)	Description
1/2" Internal NPT Union Thread	1 Union nut, 1 1/2" Male NPT 1 1/2" Female Sweat	150 psi (1034 kPa)	8 psi to 50 psi	5-1/2 high 3-3/4 long (body only) 4-4/5 long (with tailpiece)	"DialSet" Boiler fill valve with 1/2" female threaded inlets and outlets and union fittings. Includes: (1) Union nut (1) male NPT tailpiece (1) female sweat tailpiece



33-00022-02