

Stainless Steel
Top-Mount Series



Skidmore[®]
A Swan Group Company

Stainless Steel Top-Mount Series

Easy to use and maintain, Skidmore Stainless Steel Top-Mount Series Condensate Return units come in three standard sizes, are corrosion-resistant, and are available in simplex or duplex configurations.

Overview
Flows to 90 GPM
Pressures to 85 PSI
Simplex and duplex available
Stainless steel pumps and receivers

Stainless Steel
Top-Mount Series
Features

- Available in simplex and duplex models
- Standard mechanical float switch
- Simple control panels that can be tank-mounted or wall-mounted; includes integral breakers and motor starters
- Front-mounted sight glass
- Dial thermometer
- Stainless steel pump discharge heads
- Both single-phase and three-phase motor options are available
- Top-mounted pumps for ease of maintenance

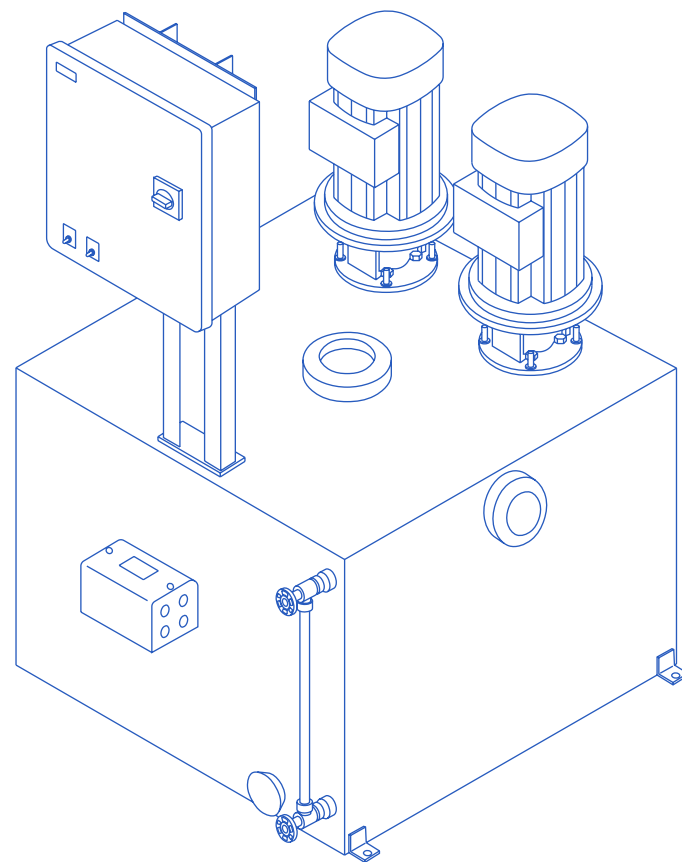
Stainless Steel Top-Mount Series Condensate Return

Capacity
25, 50, and 100 gallons

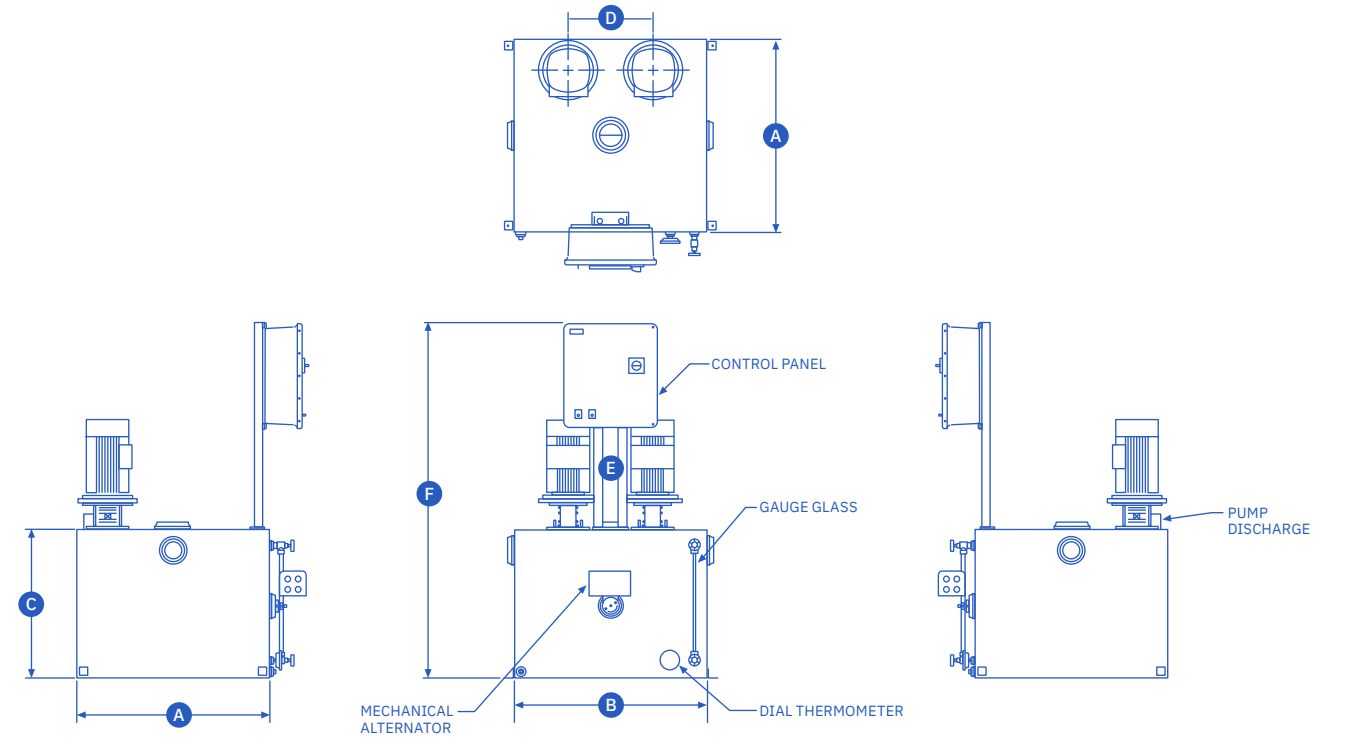
Discharge Pressures
Flows to 90 gpm and pressures to 85 psi

Our Stainless Steel Top-Mount Series units are designed to collect and quickly return condensate to the boiler feed unit using various pressures and flows. Pumping action is controlled by the water level inside the receiver, and an integral float device is used to turn the pump(s) on and off.

Stainless Steel Receiver
(100-Gallon Duplex Unit shown)

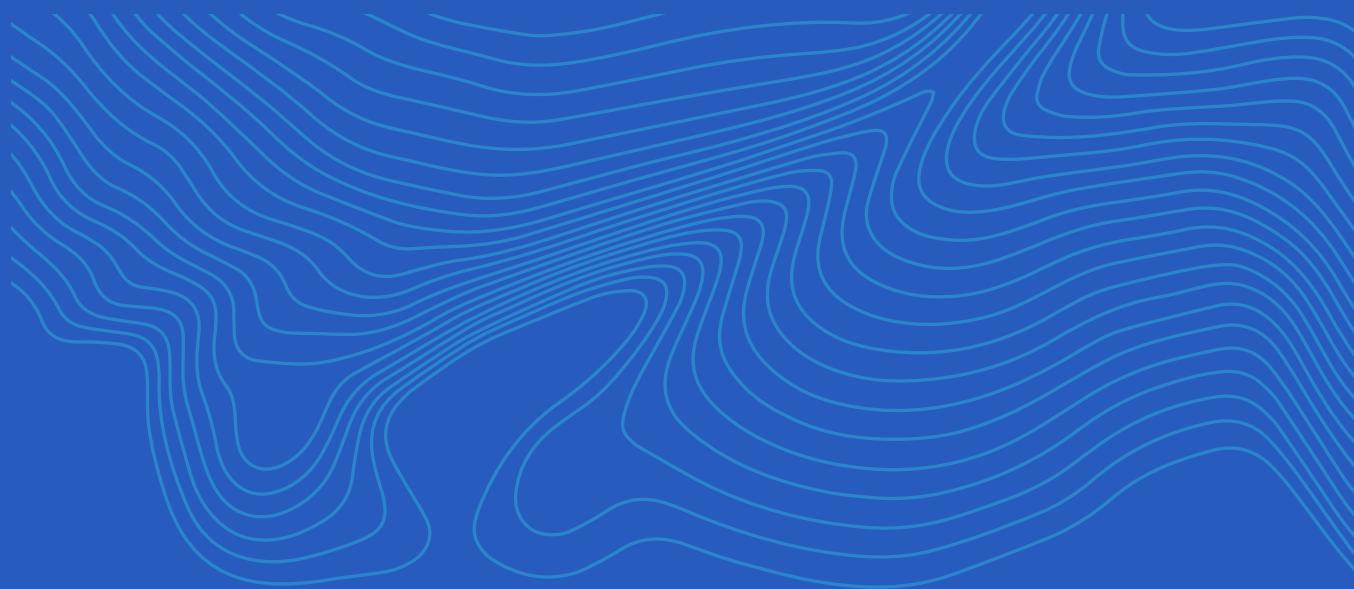


Left, Front, and Right Views



Standard System Dimensions

Receiver Size (gallons)	A	B	C	D	E	F	Inlet	Vent
25	18"	18"	18¾"	10"	10.65"	53"	2"	3"
50	24"	24"	24¾"	14"	10.65"	59"	2"	3"
100	32"	32"	24¾"	14"	10.65"	59"	3"	4"



We believe great ideas make great products. We built our company culture on this philosophy in 1921, and continue to stand by it today.

Every pump that leaves our doors has been carefully crafted and tested against the strictest standards, assuring you receive the highest-quality product possible.

skidmorepump.com

1875 Dewey Avenue
Benton Harbor, MI 49022

(269) 925-8812